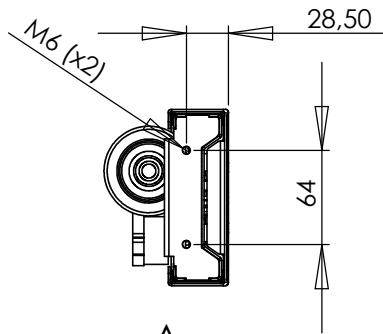
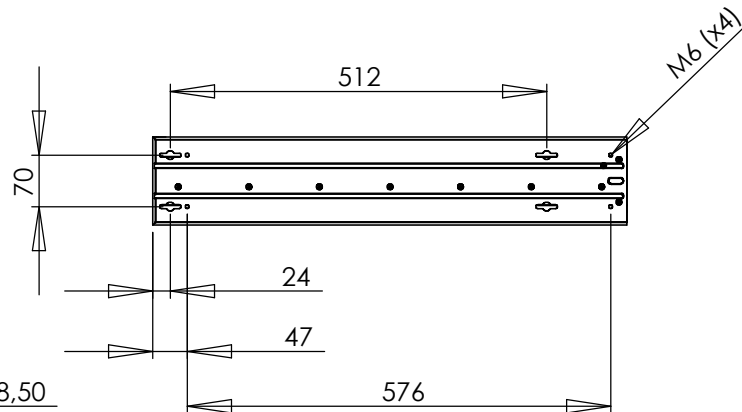
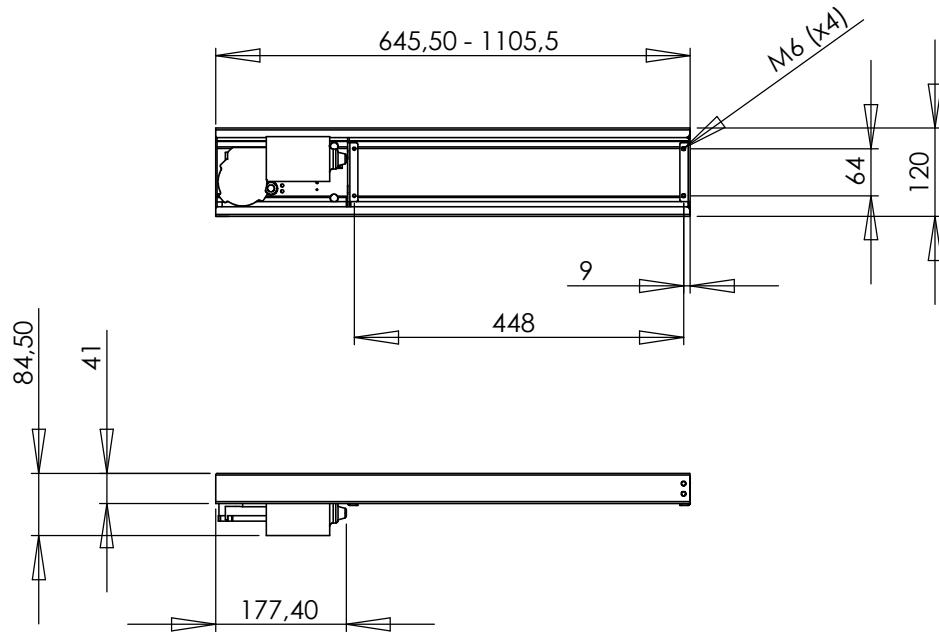
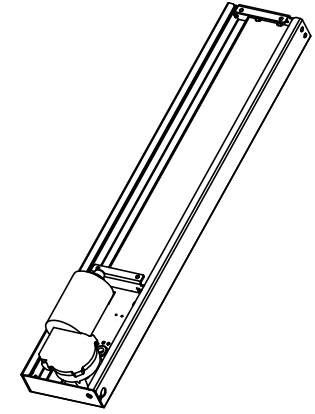



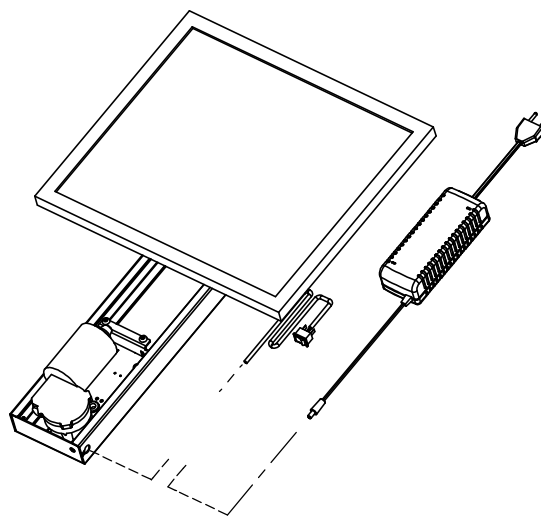
A




A



| | | |
|---|--|----------------|
| UNLESS OTHERWISE SPECIFIED DIMENSIONS ARE IN MM TOLERANCES ARE: According to DIN 7168-m | MATERIAL SPECIFICATION: | TS460 assembly |
| | --- | |
|  MATERIAL | PROCES SPECIFICATION: | |
| | --- | |
| FINISH | --- | |
| DO NOT SCALE DRAWING | DRAWN: JO CHECKED: GL DATE: 070730 | |



| | | |
|--|--|--|
| UNLESS OTHERWISE SPECIFIED DIMENSIONS ARE IN MM TOLERANCES ARE: According to DIN 7168-m | MATERIAL SPECIFICATION: --- | ConSet A/S Staalvej 14-16 6900 Skjern Denmark |
|  | PROCES SPECIFICATION: --- | |
| MATERIAL | --- | |
| FINISH | --- | |
| DO NOT SCALE DRAWING | DRAWN CHECKED DATE JO GL 031025 | REV. 0 |